

JWSS-22B

Scroll Saw

JWSS-22B...727200BM...

1~ 230V, 50Hz

PARTS LIST

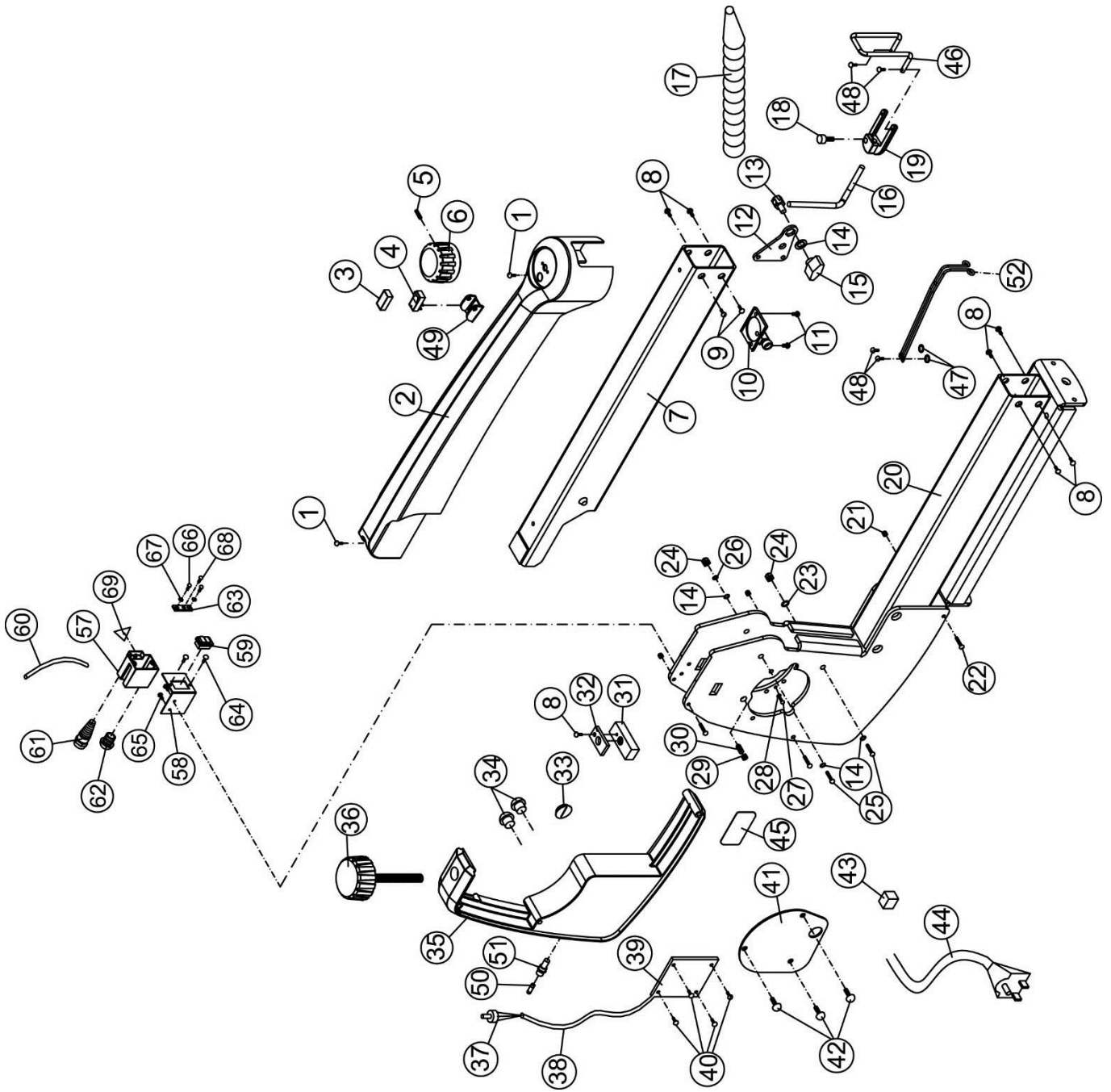
TOOL FRANCE SARL
9 Rue des Pyrénées
91090 Lisses
France

www.jettools.com

P-727200M 2019-05



JWSS-22B Upper & Lower Arm Assembly – Exploded View

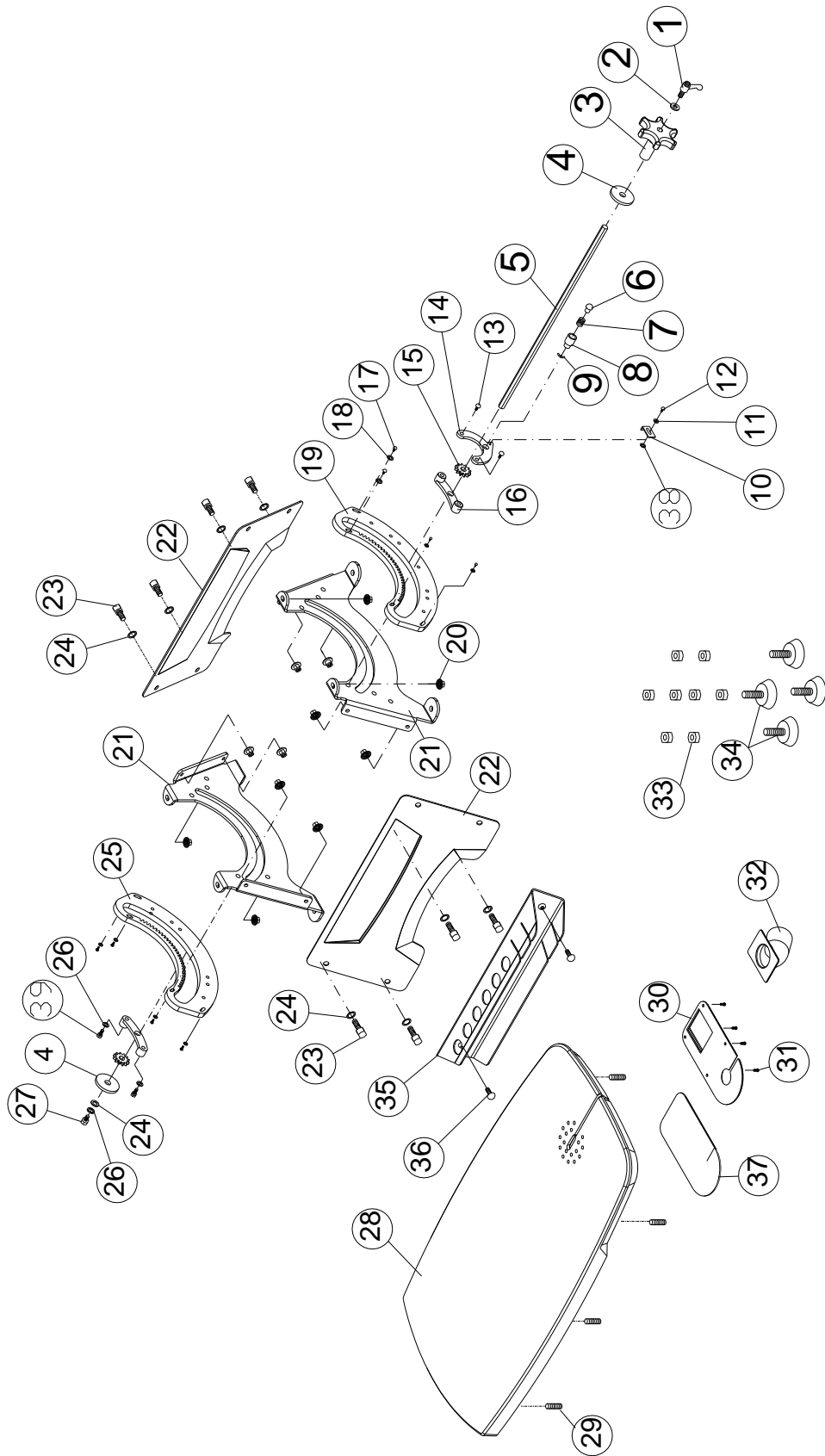


JWSS-22B Upper & Lower Arm Assembly – Parts List

Index No	Part No	Description	Size	Qty
1	F009668	Button Head Socket Screw	#10-32x1/4	2
2	JWSS22B-202	Top Cover		1
3	JWSS22B-203	Switch Rubber Cover		1
4	JWSS22B-204	Switch		1
5	TS-1521031	Socket Set Screw	M4x8	1
6	JWSS22B-206	VR Knob with Speed Label		1
7	JWSS22B-207	Upper Arm		1
8	F009916	Button Head Socket Screw	#10-32x5/16	7
9	F009670	Button Head Socket Screw	#10-32x3/8	2
10	JWSS22B-210	Dust Blower		1
11	TS-081B022	Pan Head Screw	#8-32x3/8	2
12	JWSS22B-212	Hold Down Mount Plate		1
13	JWSS22B-213	Hold Down Clamp Screw		1
14	TS-0680021	Flat Washer	1/4"	4
15	JWSS22B-215	Hold Down Clamp Knob		1
16	JWSS22B-216	Hold Down Bar		1
17	JWSS22B-217	Air Nozzle		1
18	TS-0206022	Socket Head Cap Screw	#10-32x1/2	1
19	JWSS22B-219	Hold Down Fork		1
20	JWSS22B-220E	Main Body		1
21	5508073	Hex Nylon Lock Nut	#10-32	3
22	F009917	Button Head Socket Screw	#10-32x2-1/4	3
23	TS-0680021	Flat Washer	1/4	1
24	TS-0640071	Hex Nylon Lock Nut	1/4-20	2
25	F009918	Button Head Socket Screw	1/4-20x2-1/2	2
26	TS-130205	Lock Washer	1/4	1
27	TS-081B012	Phillips Pan Head Machine Screw	#8-32x1/4	2
28	TS-0720041	External Tooth Lock Washer	#8	2
29	TS-0561031	Hex Nut	3/8-16	1
30	JWSS22B-230	Ball Set Screw	3/8-16x5/8	1
31	JWSS22B-231	Housing Cross Block		1
32	JWSS22B-232	Cross Block Retainer		1
33	JWSS22B-233	Cap		1
34	JWSS22B-234	Strain Relief		2
35	JWSS22B-235	Control Box		1
36	JWSS22B-236	Arm Adjustment Knob		1
	JWSS22B-237AE	PC Board with VR (#37,38,39)		1
37		Variable Resistor		1
38		Control Cable		1
39	JWSS22B-239E	PC Board		1
40	JWSS22B-240	Machine Screw	M4x8	4
41	JWSS22B-241	Cover Plate		1
42	TS-0254021	Button Head Socket Screw	1/4-20x1/2	3
43	JWSS22B-243	Sponge Block		1
44	JWSS22B-244E	Power Cord	3x18AWG	1
45	JET-92	JET Logo	92x38mm	1
46	JWSS22B-246	Upper Blade Guard		1
47	TS-2361041	Lock Washer	M4	2
48	TS-081B022	Phillips Pan Head Machine Screw	#8-32x3/8	2
49	JWSS22B-249	Switch Protector		1
50	JWSS22B-250E	Fuse	5 A	1
51	JWSS22B-251	Fuse Holder		1
52	JWSS22B-252	Lower Blade Guard		1
55	LM000188E	Warning Label (not shown)	49x100mm	1
56	LM000189E	ID Label, JWSS-22B (not shown)		1
57	JWL1015-168	Switch Box		1

Index No	Part No	Description	Size	Qty
58	JWSS22B-258E	Bracket.....		1
59	JWSS22B-259E	Magnetic Switch.....		1
60	JWSS22B-260E	Connection Cable.....		1
61	JWSS22B-261E	Cable Protector.....		1
62	JML-70E	Strain Relief.....	PG 9.....	1
63	JWL1015-171	Ground Plate.....		1
64	TS-081C022	Pan Head Screw.....	#10-24x3/8".....	2
65	TS-1533032	Pan Head Screw.....	M5x10.....	2
66	JWSS22B-266E	Pan Head Screw.....	M5x6.....	2
67	TS-0733041	External Tooth Lock Washer.....	1/4".....	2
68	JWL1015-163	Tapping Screw.....	M3.5x6mm.....	1
69	3520A-289E	Warning Label.....		1
70	JWSS22B-267	Cable, Main Switch to PCB (not shown).....		1

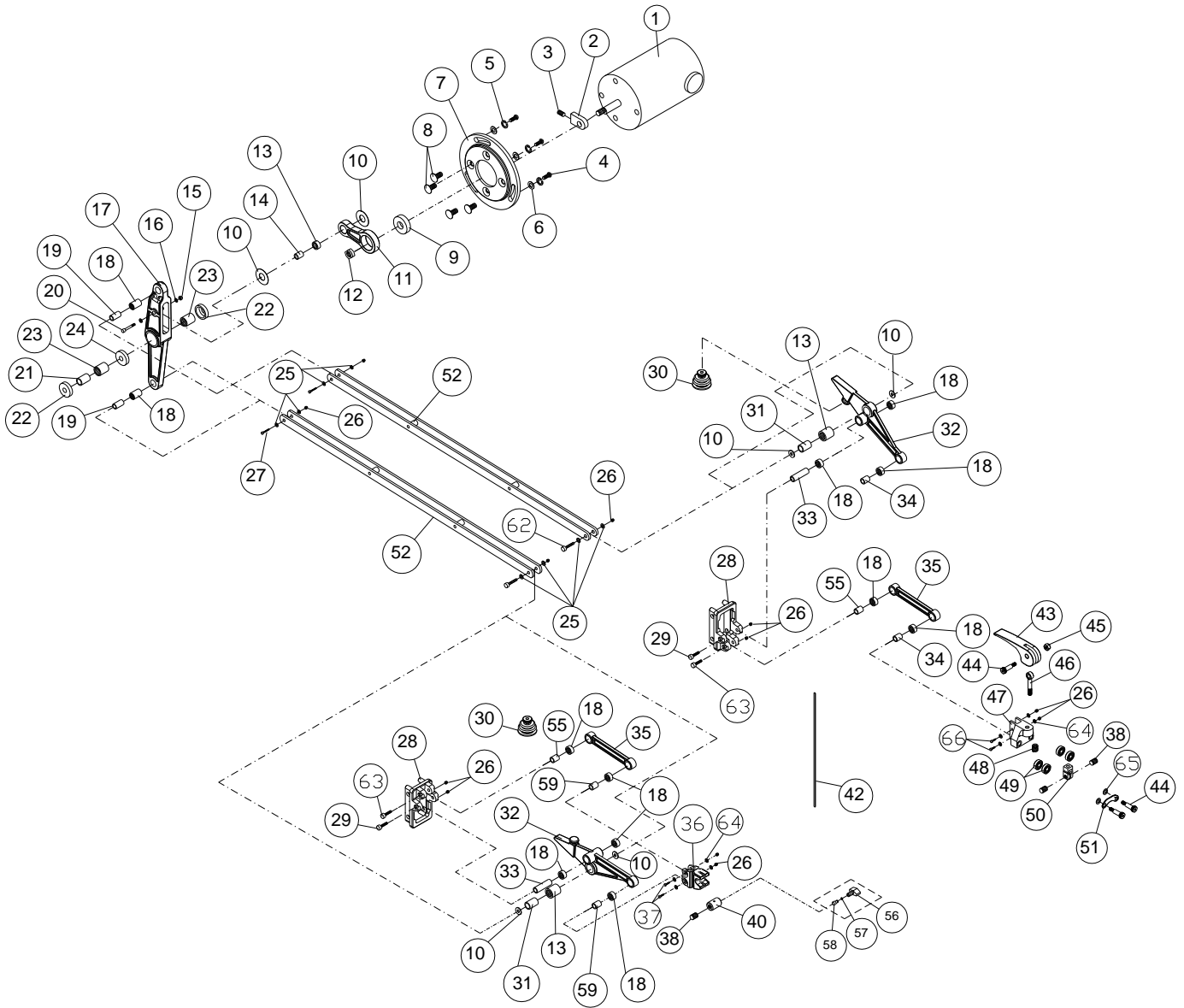
JWSS-22B Table & Cabinet Assembly – Exploded View



JWSS-22B Table & Cabinet Assembly – Parts List

Index No	Part No	Description	Size	Qty
1	JWSS22B-301	Blade Tilt Locking Lever		1
2	TS-0680021	Flat Washer	1/4	1
3	JWSS22B-303	Tilt Adjust Knob		1
4	JWSS22B-304	Blade Tilt Washer		2
5	JWSS22B-305	Tilt Lock Draw Rod		1
6	JWSS22B-306	Detent Plunger		1
7	JWSS22B-307	Spring		1
8	JWSS22B-308	Tilt Detent Barrel		1
9	JWSS22B-309	E-Ring	ETW-3	1
10	JWSS22B-310	Pointer		1
11	TS-1550021	Flat Washer	M4	1
12	TS-2284061	Phillips Pan Head Machine Screw	M4x6	1
13	TS-0254061	Button Head Socket Screw	1/4-20x1	2
14	JWSS22B-314	Angle Indicator Bracket		1
15	JWSS22B-315	Blade Tilt Drive Gear		2
16	JWSS22B-316	Angle Follower		2
17	F009916	Button Head Socket Screw	#10-32x5/16	8
18	TS-069204	Flat Washer	#10x12x1	8
19	JWSS22B-319	Front Trunnion Plate		1
20	JWSS22B-320	Hex Flange Nut	1/4-20UNC	12
21	JWSS22B-321	Trunnion		2
22	JWSS22B-322	Side Panel		2
23	TS-0254041	Button Head Socket Screw	1/4-20x3/4	8
24	TS-0680021	Flat Washer	1/4	9
25	JWSS22B-325	Rear Trunnion Plate		1
26	TS-0720071	Lock Washer	1/4	3
27	TS-0050011	Hex Cap Screw	1/4-20x1/2	1
28	JWSS22B-328	Table		1
29	TS-0273062	Socket Set Screw	1/4-20x1	4
30	JWSS22B-330	Dust Collect Plate		1
31	JWL1015-124	Button Head Socket Screw	#10-24x1/4	4
32	JWSS22B-332	Dust Port	1-1/2 OD	1
33	TS-0561082	Hex Nut	3/8-16	8
34	JWSS22B-334	Leveling Foot	3/8-16x1-1/4	4
35	JWSS22B-335	Blade Rack		1
36	TS-2286121	Pan Head Screw	M6x12	2
37	JWSS22B-337	Sponge		1
38	F002095	External Tooth Lock Washer	M4	1
39	TS-0050031	Hex Cap Screw	1/4-20x3/4	2

JWSS-22B Drive Link Assembly – Exploded View

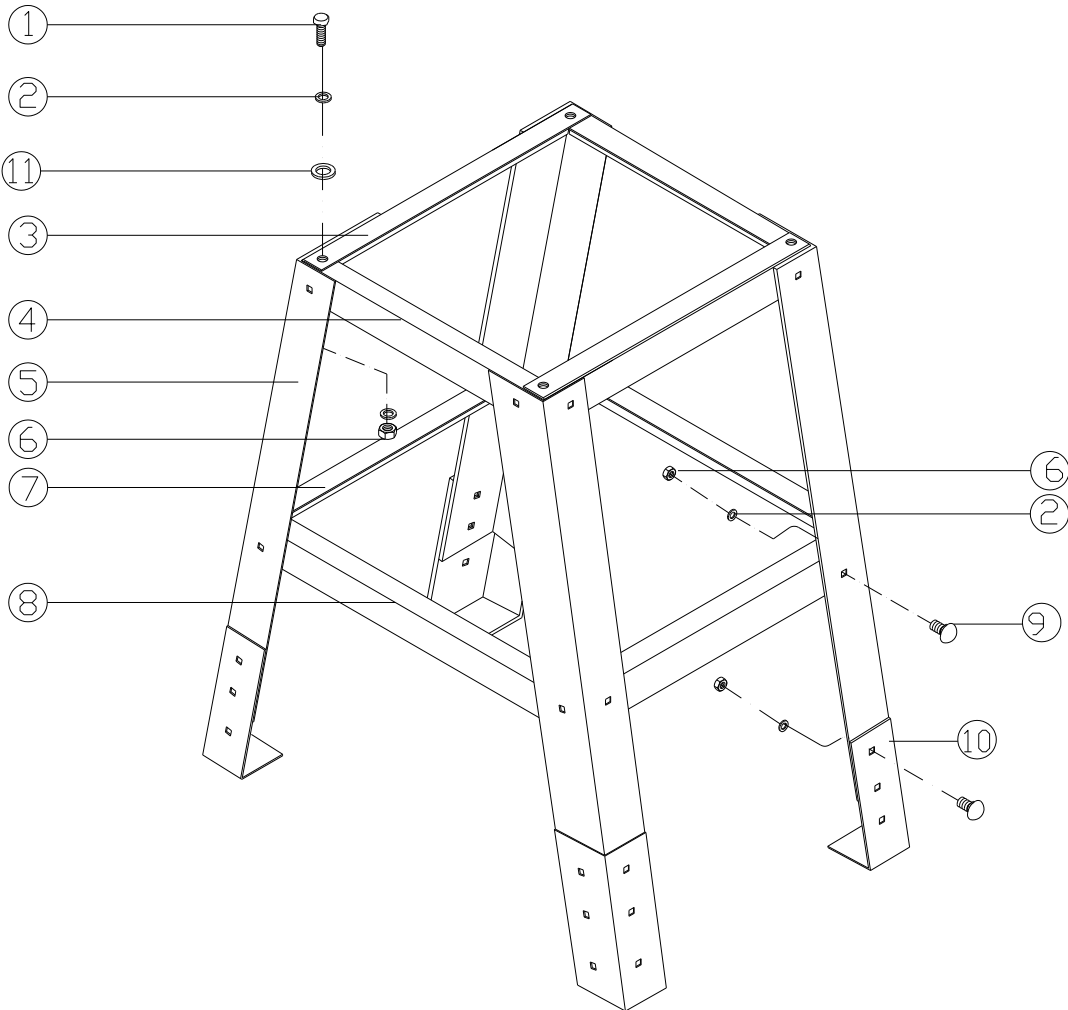


JWSS-22B Drive Link Assembly – Parts List

Index No	Part No	Description	Size	Qty
1	JWSS22B-401E	Motor		1
	JWSS22B-MCB	Motor Carbon Brush (not shown)		2
	JWSS22B-MCBC	Motor Carbon Brush Cap (not shown)		2
	LM000190E	Motor Label, JWSS-22B (not shown)		1
2	JWSS22B-402	Balance Block		1
3	TS-1523011	Socket Set Screw	M6x6	1
4	TS-0254021	Button Head Socket Screw	1/4-20x1/2	3
5	TS-0720071	Lock Washer	1/4	3
6	TS-0680021	Flat Washer	1/4	3
7	JWSS22B-407	Motor Cover Plate		1
8	TS-1514021	Socket Head Flat Screw	M6x16	4
	JWSS22B-CDLA	Complete Drive Link Assembly (#9 thru 27, #52)		1
9	BB-608ZZ	Ball Bearing	608ZZ	1
10	TS-1550061	Flat Washer	M8	6
11	JWSS22B-411	Motor Cam		1
12	JWSS22B-412	Nut	M8xP1.25LH	1
13	JWSS22B-413	Bearing	810	3
14	JWSS22B-414	Inner Bearing Sleeve	Ø8.046x21.5mm	1
15	TS-1541011	Hex Nylon Lock Nut	M5	1
16	TS-1550031	Flat Washer	M5	2
17	JWSS22B-417	Rocker Cam		1
18	JWSS22B-418	Bearing	0609	12
19	JWSS22B-419	Inner Bearing Sleeve (Long)	Ø6.03x16.5mm	2
20	F005667	Socket Head Cap Screw	M5x28	1
21	JWSS22B-421	Main Rocker Pivot	Ø14.04x35.50mm	1
22	JWSS22B-422	Bearing Cover		2
23	JWSS22B-423	Bearing	1412	2
24	JWSS22B-424	Bushing		1
25	TS-1550021	Flat Washer	M4	8
26	TS-1541001	Hex Nylon Lock Nut	M4	12
27	TS-1501071	Socket Head Cap Screw	M4x25	6
28	JWSS22B-428	Rocker Mount		2
29	F005359	Socket Head Cap Screw	M4x45	2
30	JWSS22B-430	Air Pump Bellows		2
31	JWSS22B-431	Inner Bearing Sleeve – Front Rocker	Ø8.03x18.40mm	2
32	JWSS22B-432	Front Rocker		2
33	JWSS22B-433	Inner Bearing Sleeve (Long)	Ø6.03x37mm	2
34	JWSS22B-434	Inner Bearing Sleeve	Ø6.03x16mm	2
35	JWSS22B-435	Strut		2
	JWSS22B-NLBCK	New Lower Blade Chuck Kit (#26,36,37,59,64) <i>Serial no. 18010446 and higher</i>		1
36	JWSS22B-436A	Lower Blade Chuck with Magnet		1
37	F005668	Socket Head Cap Screw	M4x22	2
38	JWSS22B-438	Set Screw	M6x5	5
	727201	Lower Blade Holder Assembly (#38, 40, 56 thru 58), set of 3		1
40	JWSS22B-440	Lower Blade Holder		2
42	JWSS22B-442	Blade	0.36mm (t) x 1.1mm (W) x 130mm (L) x 11 TPI	5
43	JWSS22B-443	Tension Lever		1
44	JWSS22B-444	Screw		3
45	TS-1541011	Hex Nylon Lock Nut	M5	1
46	JWSS22B-446	Bolt		1
47	JWSS22B-447	Upper Blade Chuck		1
48	JWSS22B-448	Spring		1
49	JWSS22B-449	Bearing	R4ZZ	4
50	JWSS22B-450	Blade Clamp Assembly (includes #38)		1
51	JWSS22B-451	Plate		1
52	JWSS22B-452	Drive Link Assembly		2

Index No	Part No	Description	Size	Qty
55	JWSS22B-455	Inner Bearing Sleeve (Short)	Ø6.03x21mm	2
	JWSS22B-TSA	Thumb Screw Assembly (#56 thru 58)		1
56	JWSS22B-456	Thumb Screw		1
57	JWSS22B-457	O-Ring		1
58	JWSS22B-458	Press Bar		1
59	JWSS22B-459A	Inner Bearing Sleeve	Ø6.03x14.2mm	1
62	F005673	Socket Head Cap Screw	M4x27	2
63	TS-1501081	Socket Head Cap Screw	M4x30	2
64	TS-1550021	Flat Washer	M4	8
65	TS-1550041	Flat Washer	M6	2
66	F005672	Socket Head Cap Screw	M4x24	2

Stand (OPTIONAL) for JWSS-22B Scroll Saw – Exploded View



Stand (OPTIONAL) for JWSS-22B Scroll Saw – Parts List

Index No	Part No	Description	Size	Qty
	727200S	Stand for Scroll Saw (#1 thru 10)		
1	TS-0051051	Hex Cap Screw	5/16"-18 x 1"	4
2	TS-0680031	Flat Washer	5/16"	32
3	JWSS22B-103	Top Short Brace		2
4	JWSS22B-104	Top Long Brace		2
5	JWSS22B-105	Leg		4
6	TS-0570021	Hex Nut	5/16"-18	28
7	JWSS22B-107	Bottom Short Brace		2
8	JWSS22B-108	Bottom Long Brace		2
9	JWSS22B-109	Round Hd. Carriage Bolt, b.oxide	5/16"-18 x 1/2"	24
10	JWSS22B-110	Leg Extension		4
11	JWSS22B-111	Rubber washer (included with saw hardware)		4
	JWSS22B-SHK	Stand Hardware Kit (#1,2,6,9)		

JWSS-22B..727200BM....1~230V,50Hz

	colour of strands	Litzenfarben	couleur des cordons
BK	black	schwarz	noir
WH	white	weiß	blanc
BU	blue	blau	bleu
YE	yellow	gelb	jaune
RD	red	rot	rouge
BN	brown	braun	brun
GY	grey	grau	gris
GNYE	green-yellow	grün-gelb	vert-jaune
OG	orange	orange	orange
VT	violet	violett	violet

	meaning of symbol	Bedeutung der Zeichen	interprétation
M	motor	Motor	moteur
S	switch	Schalter	interrupteur
C	condenser	Kondensator	condensateur
E	electronic unit	Elektronik Einheit	unité électronique
F	fuse	Sicherung	fusible
RS	reversing switch	Drehrichtungsschalter	commu. droite/gauche
CS	centrifugal switch	Fliehkraftschalter	déclencheur centrifuge
OL	overload cut-off	Überlastschuttschalter	déclencheur surcharge
LS	limit switch	Positionsendschalter	micro

